



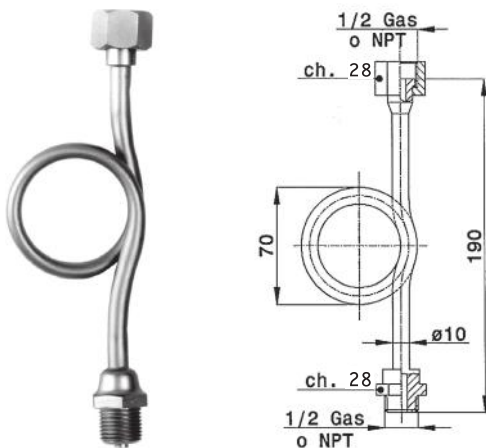
AM SERIES

Accessories for pressure gauges

AM 401

Siphon for low pressures

- AISI 316 stainless steel pipe;
- AISI 316 stainless steel threaded connections, fixed male and revolving female G 1/2 B (1/2 Gas or BSP) or fixed male and female 1/2-14 NPT (1/2 NPT);
- TIG welding;
- working pressure max 60 bar;
- operating temperature max 300 °C.

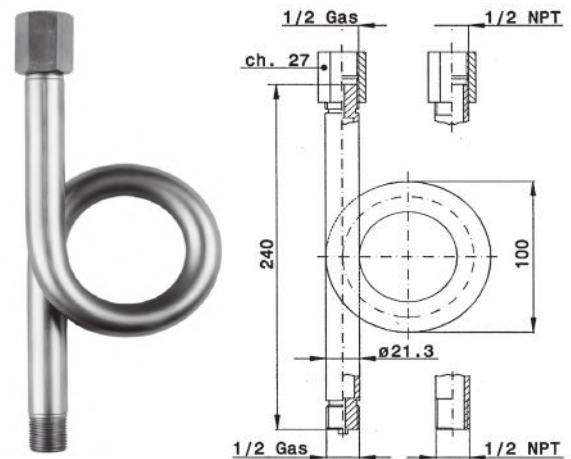


AM 401 weight ~ kg 0,28

AM 403

Siphon for high pressures

- AISI 316L stainless steel pipe;
- AISI 316L stainless steel threaded connections, fixed male and revolving female G 1/2 B (1/2 Gas or BSP) or fixed male and female 1/2-14 NPT (1/2 NPT), TIG welded or made on pipe for 1/2 NPT;
- working pressure max 180 bar;
- operating temperature max 400 °C.



AM 403 weight ~ kg 0,88

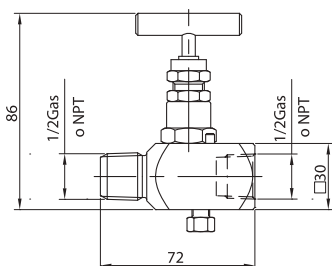
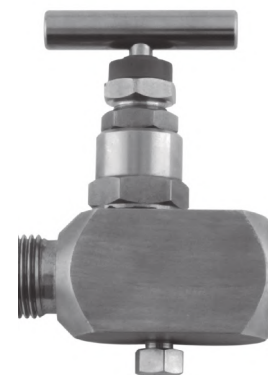
AM 409 / 410

AM 409 - Pressure gauge two-way valve

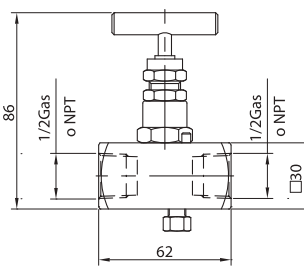
AM 410 - Pressure gauge three-way valve

- AISI 316L stainless steel body;
- AISI 316L stainless steel needle plug;
- fixed male/female or female/female (only AM 409) G 1/2 B (1/2 Gas or BSP) or 1/2-14 NPT (1/2 NPT) threaded connections;
- little flange Ø 40 for test gauge (**AM 410**);
- AISI 304 stainless steel handles;
- drain plug;
- working pressure max 400 bar;
- operating temperature max 210 °C (500 °C on request).

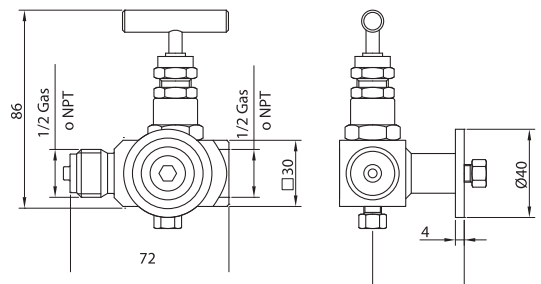
AM 409



AM 409 weight ~ kg 0,46



AM 410 weight ~ kg 0,55

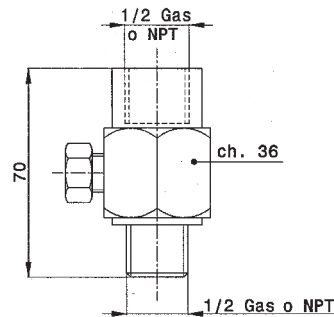




AM 411

Adjustable screw damper

- AISI 316 stainless steel body;
- fixed male and female G 1/2 B (1/2 Gas or BSP) or 1/2-14 NPT (1/2 NPT) threaded connections;
- AISI 316 stainless steel adjusting screw;
- working pressure max 400 bar;
- operating temperature max 150 °C.



AM 411 weight ~ kg 0,22

AM 413/415/417

Manifold

- AISI 316L stainless steel body;
- AISI 316L stainless steel needle plugs;
- AISI 304 stainless steel handles;
- working pressure max 400 bar;
- operating temperature max 210 °C (500 °C on request).

AM 413 - Three valve

- input connections:
 - o male G 1/2 B (1/2 Gas or BSP) or 1/2-14 NPT EXT (1/2 NPT);
 - o 1/4-18 NPT (1/4 NPT) female;
 - o others threaded on request;
- output connections revolving female G 1/2 B (1/2 Gas or BSP).

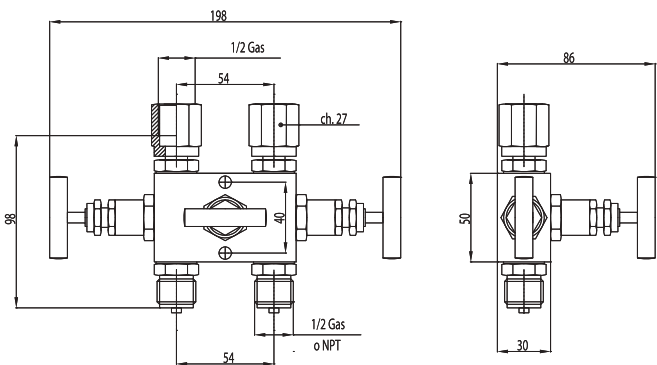
AM 415 - Five valve

- 1/2-14 NPT (1/2 NPT) female input and output connections;
- 1/4-18 NPT (1/4 NPT) drain plugs.

AM 417 - Five valve

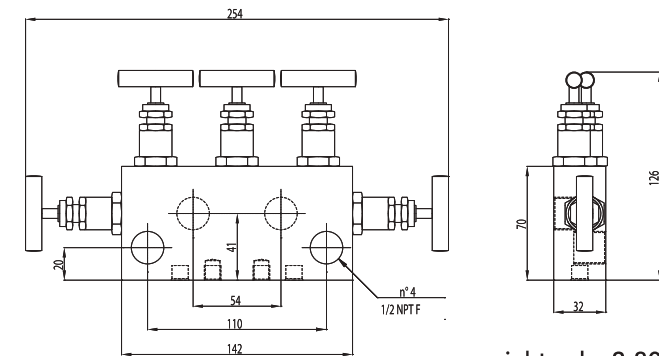
- input connections:
 - o male G 1/2 B (1/2 Gas or BSP) or 1/2-14 NPT EXT (1/2 NPT);
 - o others threaded on request;
- output connections revolving female G 1/2 B (1/2 Gas or BSP);
- 1/4-18 NPT (1/4 NPT) drain plugs.

AM 413

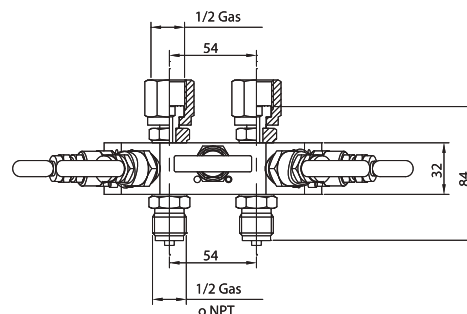
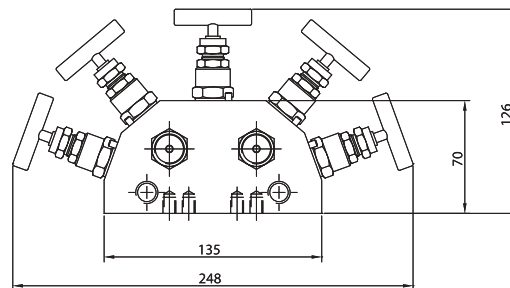


weight ~ kg 1,70

AM 415

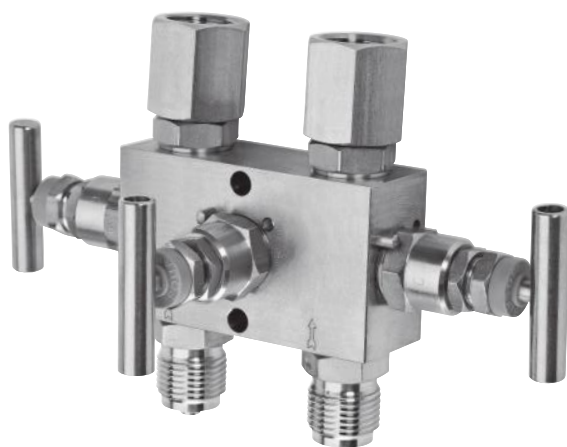


weight ~ kg 2,80



AM 417

weight ~ kg 3,20





AM 416

Adjusting over-pressure protector

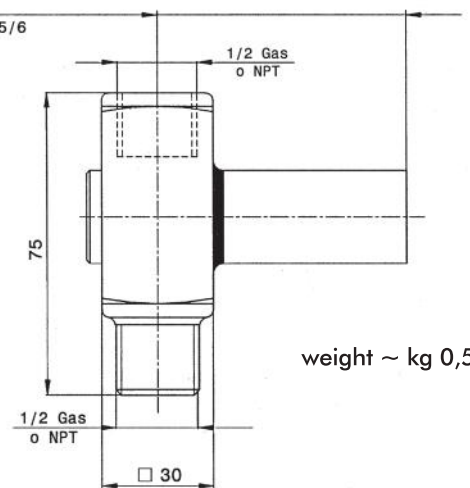
- AISI 316L stainless steel body;
- AISI 316L stainless steel stopper;
- fixed male and female G 1/2 B (1/2 Gas or BSP) or 1/2-14 NPT (1/2 NPT) threaded connections;
- FPM (Viton) seals;
- resetting value -30% of setting value;
- working pressure max 500 bar;
- operating temperature max 100 °C.



- **Execution 1**
- setting range 200 mbar ÷ 1 bar;
- **Execution 2**
- setting range 1 bar ÷ 3 bar;
- **Execution 3**
- setting range 3 bar ÷ 16 bar;
- **Execution 4**
- setting range 16 bar ÷ 35 bar;
- **Execution 5**
- setting range 35 bar ÷ 160 bar;
- **Execution 6**
- setting range 160 bar ÷ 350 bar.

AM 416

76 per esec. 1/2
66 per esec. 3/4/5/6



weight ~ kg 0,53