

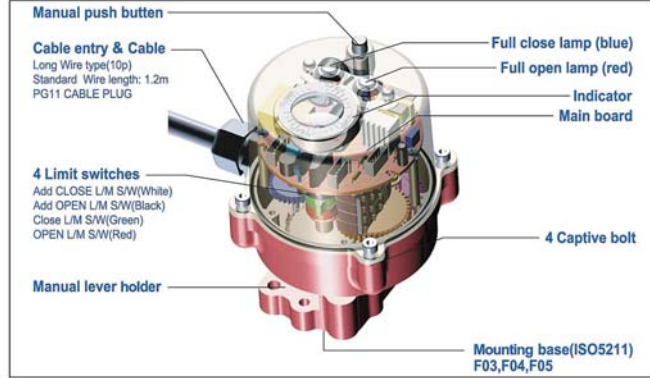
Description

● REA 40 electric actuator is specially designed to operate small size quarter turn valves such as Ball, Butterfly, Plug/Damper valve and similar usages.

Features

- Compact and light weight
- High corrosion resistance
- Multi-voltage : (AC85~265V/1PH, 24V DC)
- Standard space heater (0.5W)
- Weather proof (IP67)
- Push button and Manual lever
- Mounting base : ISO5211(F03/F04/F05)
- 4 limit switches
- Captive cover bolt
- Mechanical position indicator & LED lamp indicators (Open/Close)

Construction



Option

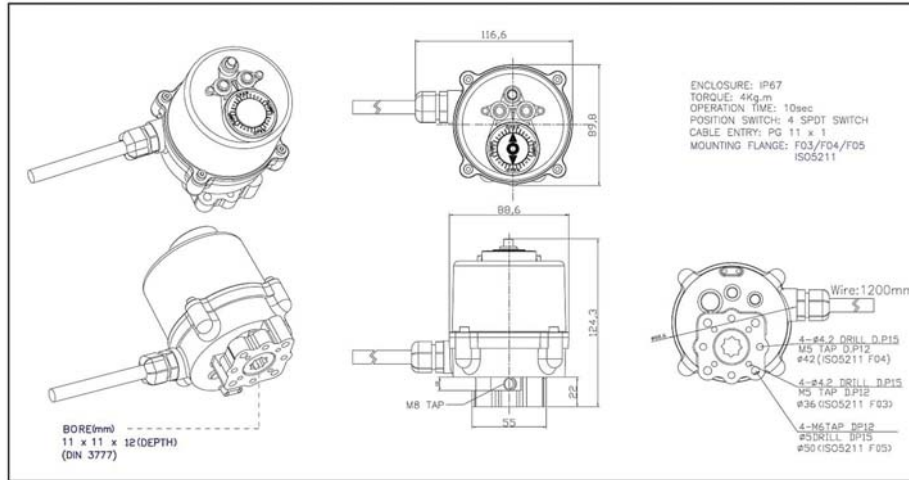
- HSA : High Speed operation(6.5sec)
- PIU : Potentiometer unit(1K~10K)
- PCU : Proportional control unit(in/out:0-10V, 4-20mA)
- CPT : Current position transmitter(output 4-20mA DC)



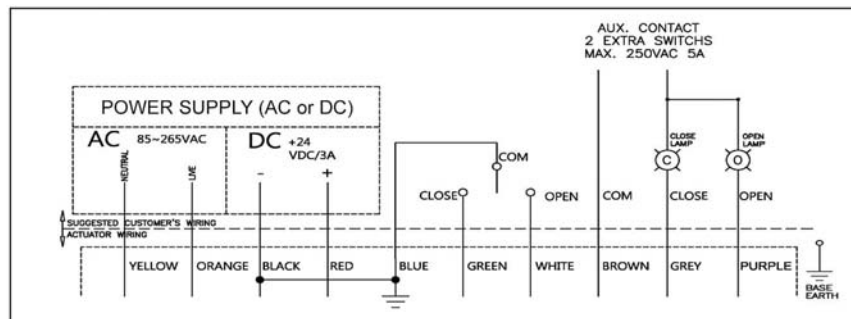
Performance

TYPE (MODEL)	MAXIMUM OUTPUT TORQUE		OPERATING TIME 60/50Hz	MOUNTING SIZE	ELECTRIC MOTOR STOP	SUPPLYING POWER & RATED CURRENT(A) 60/50Hz, 1 Phase			DUTY CYCLE IEC34-1	MANUAL LEVER ANGLE	WEIGHT
	Kg.m	N.m	90°			AC110V	AC220V	DC24V			
REA 40	4	40	12 Sec	ISO5211	A	0.12A	0.06A	0.46A	70	90°± 5	1.2
HSA	2	25	6.5 Sec	F03,F04,F05	2A	0.065A	0.033A	0.25A			

Dimension



Wiring Connection



※ Unused lines shall be sealed by users.