

Solenoid Standard Coil C 40 Series

GENERAL FEATURES

- New design
- Better performance
- Long life

ELECTRICAL CHARACTERISTICS

Continuous Duty	: ED %100
Coil Insulation Class	: H (180°C)(IEC 85)
Coil Impregnation	: Polyester Fiber Glass
Ambient Temperature	: -10°C, +60°C
Protection Degree	: IP65 (ISO 60529) On request; IP68
Electric Plug Connection	: DIN 46340 3-Poles Connector (DIN 43650)
Connector Specification	: ISO 4400 / EN 175301-803 Form A, Spade Plug (Cable Ø6-8 mm)
Electrical Safety	: IEC 335
Standard Voltages	: AC 12V 15VA, 24V 15VA, 48V 15VA, 230V 15VA, 230V 24VA DC 12V 18W, 24V 18W, 48V 18W, 110V 18W

On request other voltages

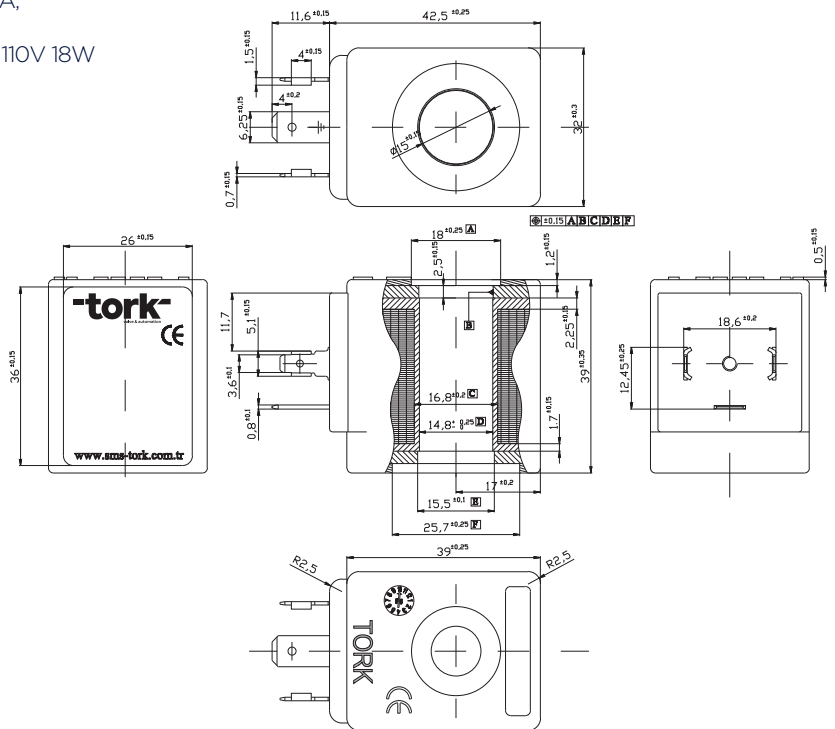
Voltages Tolerance : AC -15%, +10% DC -5%, +10%

Frequency : 50 Hz (60 Hz...)

On request; Connector with LED, PWM Socket Specify coil voltage with order

COIL MATERIALS

Body	: Poliamid 6
Internal Parts	: Stainless Steel, Brass
Shading Ring	: Copper (EN 12735-1)



POWER RATINGS			
Alternating Current (AC)			
Coil Type	Voltage	Power (VA)	Current (A)
C40012VAC15VA	12	15	1,25
C40024VAC15VA	24	15	0,521
C40048VAC15VA	48	15	0,312
C400110VAC15VA	110	15	0,12
C400230VAC15VA	230	15	0,06
C400230VAC24VA	230	24	0,096

POWER RATINGS			
Direct Current (DC)			
Coil Type	Voltage	Power (W)	Current (A)
C40012VDC18W	12	18	1,5
C40024VDC18W	24	18	0,8
C40048VDC18W	48	18	0,37
C400110VDC18W	110	18	0,163

Coil	Nominal Values	Cold/Hot	Inrush	Holding	Current (A)	Surface Temperature (°C)
C40012VDC18W	12VDC 18W	COLD	19,56	19,56	1,63	20
		HOT	14,52	14,52	1,21	106
C40024VDC18W	24VDC 18W	COLD	20,88	20,88	0,87	25
		HOT	14,64	14,64	0,61	116
C40110VDC18W	110VDC 18W	COLD	19,96	19,96	0,18	23
		HOT	13,56	13,56	0,123	115
C40012VAC15VA	12VAC 15VA	COLD	23,81	16,43	1,3	25
		HOT	-	15,86	1,262	79
C40024VAC15VA	24VAC 15VA	COLD	25,82	15,02	0,62	22
		HOT	-	13,91	0,57	81
C40110VAC15VA	110VAC 15VA	COLD	30,65	15,17	0,137	24
		HOT	-	13,96	0,126	80
C40230VAC15VA	230VAC 15VA	COLD	31,4	15,64	0,068	25
		HOT	-	14,41	0,063	80
C40230VAC24VA	230VAC 24VA	COLD	45,1	23,92	0,0154	23
		HOT	-	21,62	0,0154	100